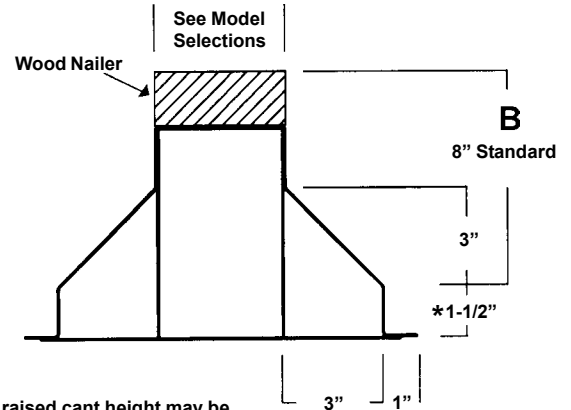
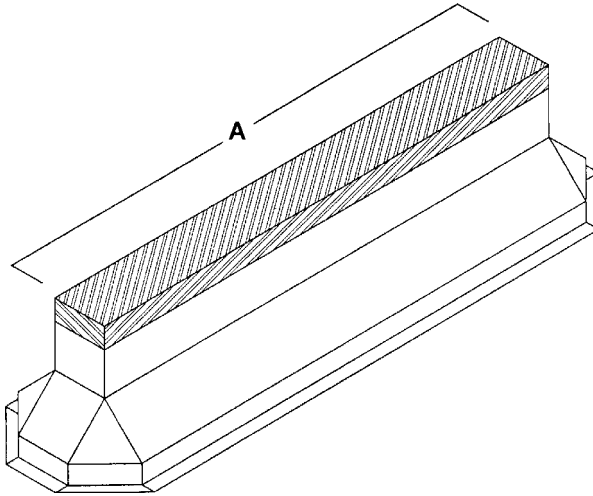


MODEL ERSC
RAISED CANT EQUIPMENT SUPPORT
FORMED STEEL



*Standard raised cant height may be increased or decreased by specifying

Qty.	'A'	'B'	Options / Accessories	Tag

STANDARD CONSTRUCTION

- Fabricated of 18 gauge galvanized steel (shell and base plate). All seams are fully welded and sprayed with protective coating.
- Incorporates a mitered 3" x 3" integral cant raised 1-1/2".
- Internal reinforcements at 12" centers.
- Factory installed wood nailer for equipment mounting (Mechanically fastened.)
- Mill finish is standard.
- Lengths exceeding 90" may require multiple section construction.

MODEL SELECTIONS		
	NOMINAL WIDTH	ACTUAL NAILER WIDTH
ERSC-04	4"	3-1/2"
ERSC-06	6"	5-1/2"
ERSC-08	8"	7-1/2"
ERSC-10	10"	9-1/2"
ERSC-12	12"	11-1/2"

OPTIONS / ACCESSORIES

PROJECT: _____
LOCATION: _____
ARCHITECT: _____
ENGINEER: _____
CONTRACTOR: _____
PO NUMBER: _____
DATE: _____

MATERIAL

Steel products are available in various gauges of galvanized, galvaneal, or stainless.

PITCHED OR PEAKED

All units are available as pitched or peaked. In conjunction with the overall unit dimensions, both the height rise, specified in linear inches per foot (e.g. 3" in 12") and the direction of the pitch must be specified.

COUNTERFLASHING

A removable metal cap fabricated of the same material as the equipment support provides for an effective method of attaching roofing felts.

GASKET

1/4" thick polyurethane foam gasket can be installed, lining the entire top perimeter. Gasket can be used in place of, or in addition to a wood nailer.

FINISHES

A wide selection of finishes including baked enamel, epoxy, or prime coat.